

the
REDESIGNED



CHILLOUT CHAIR

ALTERNATIVE SEATING™

AVAILABLE IN:

Rock'er Roll'er

NEW FEATURES:

- Increased Recline of the Upper Back & Headrest Areas
- Introduction of the Multi-Use Modular Support Wedge
- Redesigned Supportive Headrest
- New Performance-Treated Fabric Options

chill-outchair.com

Introducing the REDESIGNED



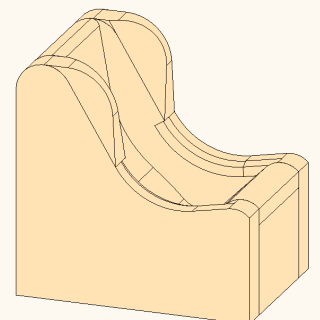
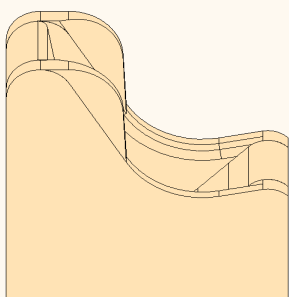
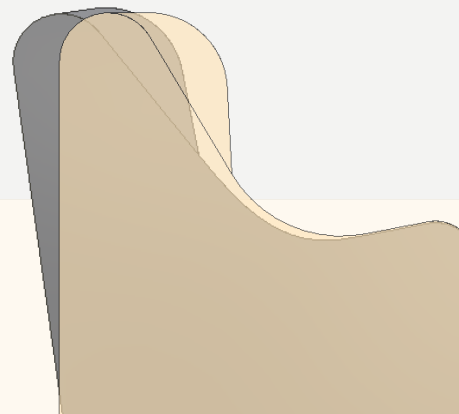
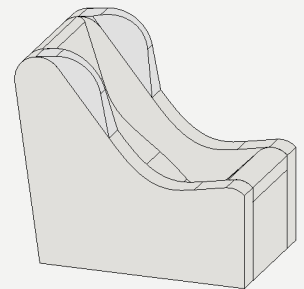
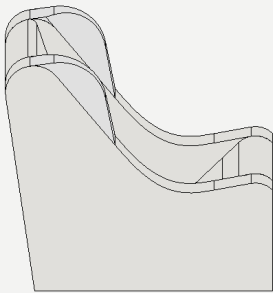
THE REDESIGNED CHILL-OUT CHAIR

The redesigned Chill-Out Chair can reduce the number of transfers required throughout the day – It's ideal for home, school or therapy settings. The design still features a deep-V foam design that is a safe, comfortable, and supportive alternative seating option.

The redesigned Chill-Out Chair focuses on features to improve and encourage proper positioning, while maximizing occupant comfort.

The upper back and headrest portion of the chair features a more defined reclined angle, which can aid in reducing and easing the kyphosis of the occupant. The new chair features a supportive headrest to encourage the opening of the airways and a new multi-use modular support wedge. This wedge can be used to add extra support or to help create a more upright chair for activity engagement. The Chill-Out Chair is easier to clean than ever, featuring more fabric options that are anti-bacterial, made for indoor/outdoor use with moisture repellency and wipeability. Available in a wide range of color options to match or compliment home, school, or clinic decor.

REDESIGNED CHILL-OUT CHAIR



ORIGINAL DESIGN

Improvements



Available in

Rock'er & Roll'er

1. Supportive Headrest

The height-adjustable improved headrest provides increased occipital and lateral head support, while keeping the neck in line with the spine and opening up airways.



2. Performance Finished Applied Fabrics

Made with Endurepel™, a performance finish applied to provide tough anti-stain, anti-bacterial, and anti-mildew properties.

3. Increased Recline of the Upper Back & Headrest Area

The upper back and headrest portion of the chair features a more defined reclined angle, which can aid in reducing and easing the kyphosis of the occupant.

4. Multi-Use Modular Support Wedge

This multi-use wedge can be moved to various regions of the chair to customize postural support where the user needs it most.

SUGGESTED USES:

Upper Chair Support

Upright positioning for improved sight lines and engagement in activities.



Mid-Thoracic Support

Reverse the modular support wedge to minimize the lumbar depth, creating a 90° posture chair.



Lower Lumbar Support

Increase support in the lower lumbar region of the chair, while reducing the lower back curvature of the chair.



Seat-Based Support

Decrease the depth of the chair, while improving postural pelvic support and elevating legs to break up tone.



Compatible with all
original Chill-Out
Chair accessories!



FOR MORE INFORMATION
PLEASE CONTACT:

1.800.661.9915

chill-outchair.com